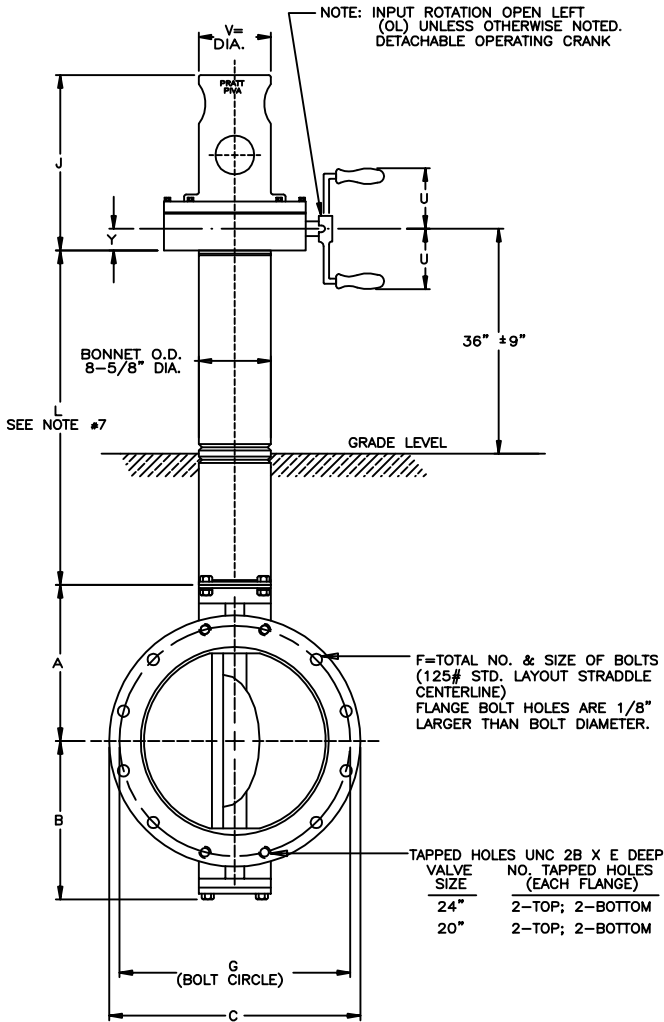
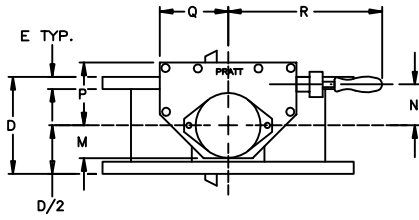


VALVE SIZE	A	B	C	D*	E	F	G
24	19-3/8	18-5/8	32	8	1-7/8	20--1-1/4	29-1/2
20	16-1/2	17	27-1/2	8	1-3/4	20--1-1/8	25

ACTUATOR SIZE	J	M	N	P	Q	R	U	V	Y	NUMBER OF TURNS
MDT-5	14-3/4	4-1/2	5-1/2	8-3/4	10-7/16	23-7/8	12-9/16	4-1/2	4-1/2	44
MDT-4S	13-1/2	3-3/8	4	7-5/16	6-3/4	18-11/16	12-9/16	4-1/2	2-7/8	40



NOTES:

- ALL DIMENSIONS SHOWN IN INCHES. "D" DIMENSION ± 1/8".
- DIMENSIONS AND DRILLING OF END FLANGES CONFORM TO THE AMERICAN CAST IRON FLANGE STANDARDS, CLASS 125 (B16.1).
- (RECOMMENDATIONS FOR MATING FLANGES) WHERE INSULATING BUSHINGS ARE USED, IT IS NECESSARY THAT BOLT HOLES BE DRILLED OVERSIZE BY AN AMOUNT EQUAL TO TWO TIMES THE INSULATING SLEEVE THICKNESS TO MAINTAIN THE SAME MINIMUM CLEARANCE FOR BOLTS.
- VALVES MANUFACTURED AND TESTED IN ACCORDANCE WITH AWWA SPECIFICATIONS C-504, CLASS 150B.
- ACTUATOR MOUNTED IN POSITION AS SHOWN.
- VALVE ASSEMBLIES ARE UNDERWRITERS LABORATORIES (UL) LISTED AND FACTORY MUTUAL (FM) APPROVED FOR USE IN FIRE PROTECTION SYSTEMS.
- FOR 24" VALVE: 48", 62", 80", 98" AND 116" BONNET LENGTHS ARE AVAILABLE. (SPECIAL LENGTHS ARE NEGOTIABLE.)
FOR 20" VALVE: 49", 67", 85", 103" AND 121" BONNET LENGTHS ARE AVAILABLE. (SPECIAL LENGTHS ARE NEGOTIABLE.)
- THE 24" VALVE IS FURNISHED WITH AN MDT-5 ACTUATOR.
THE 20" VALVE IS FURNISHED WITH AN MDT-4S ACTUATOR.

PAINT: ALL PAINT ABOVE GRADE LEVEL: FIRE SAFETY RED
ALL PAINT BELOW GRADE LEVEL: AMERCOAT 370 OXIDE RED

REV.	DATE	BY	DESCRIPTION	APP.
3	7/25/11	RCB	ADD 20" PIVA	
2	7/25/11	JTC	UPDATED PAINT	RCB
1	10/29/06	SR	REMOVED MAT'L INFO	CEG

PRATT HENRY PRATT COMPANY
AURORA, ILL.

GENERAL ARRANGEMENT DRAWING
PIVA FM-4 BUTTERFLY VALVE
20" & 24" FLANGED ENDS
MDT ACTUATOR
DETACHABLE HANDCRANK

SCALE NONE DATE 6/12/06
DRAWN BY SR CHECKED BY JR
APPROVED GA=BORDER
DRWG. NO. GA-11598 REV 3