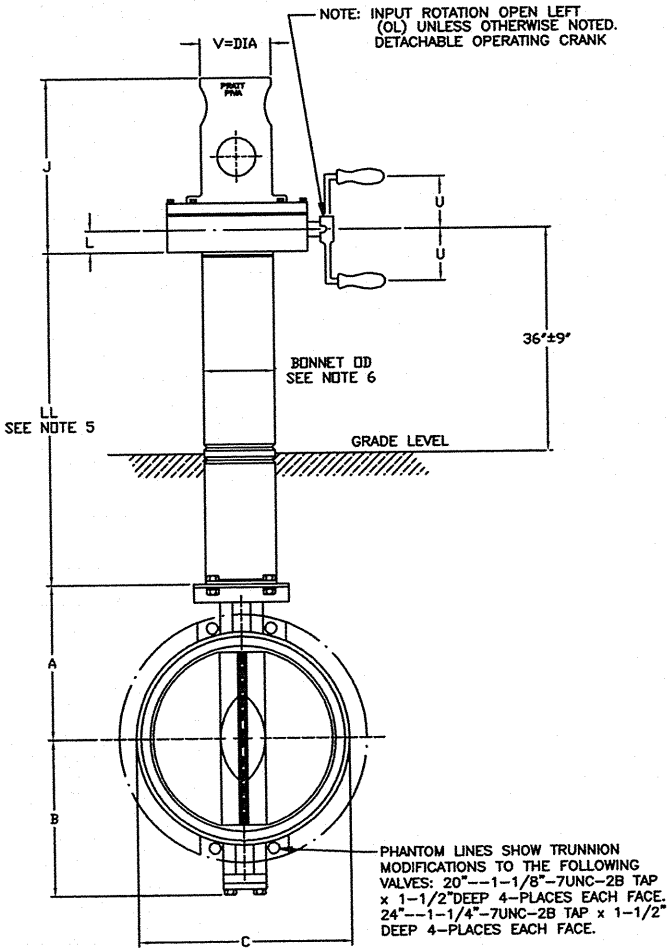
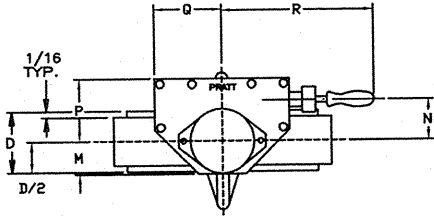


VALVE SIZE	A	B	C	D*
6	6-7/8	5-1/8	8-5/8	2-15/16
8	8-1/8	6-1/2	10-7/8	3-1/16
10	9-3/8	9-7/8	13-1/4	3-3/16
12	11	11-3/8	16	3-7/16
14	12-3/8	12-5/8	17-5/8	3-11/16
16	14	14-1/2	20-1/8	4-3/16
18	14-7/8	15-3/8	21-1/2	4-11/16
20	16-1/2	17	23-3/4	5-3/16

ACTUATOR SIZE	J	M	N	P	Q	R	U	V	Y	NUMBER OF TURNS
MDT-2S	12	2-1/8	2	4-1/2	4-1/8	11	8-5/8	4-1/2	2	32
MDT-3S	12-7/8	3-1/4	3-5/32	5-5/8	5-7/16	12-1/2	8-5/8	4-1/2	2-7/16	30
MDT-4S	13-1/2	3-3/8	4	7-5/16	6-3/4	18-11/16	12-9/16	4-1/2	2-7/8	40



NOTE: DIMENSION "C" ALLOWS CLEARANCE FOR 150 LB OR 125 LB A.S.A. BOLT LAYOUT.

NOTES:

- ALL DIMENSIONS SHOWN IN INCHES. "D" DIMENSION ± 1/16" FOR 6" THRU 10" VALVES. "D" DIMENSION ± 1/8" FOR 12" THRU 20" VALVES.
- VALVES MANUFACTURED AND TESTED IN ACCORDANCE WITH AWWA SPECIFICATIONS C-504-87, CLASS 150B.
- ACTUATOR MOUNTED IN POSITION AS SHOWN.
- VALVE ASSEMBLIES ARE UNDERWRITERS LABORATORIES (UL) LISTED AND FACTORY MUTUAL (FM) APPROVED FOR USE IN FIRE PROTECTION SYSTEMS.
- BONNET LENGTHS ARE AVAILABLE IN 18" INCREMENTS. 54" TO 126" LENGTHS FOR 6" THRU 14" VALVE SIZES. 49" TO 121" LENGTHS FOR 16" THRU 20" SIZES. (SPECIAL LENGTHS ARE NEGOTIABLE.)
- OUTER TUBE O.D. IS 4-1/2" ON VALVE SIZES 8" AND SMALLER, 5-9/16" ON VALVE SIZES 10" THRU 14", 6-5/8" ON VALVE SIZES 16" AND 18", 8-5/8" FOR VALVE SIZE 20".

7. THE FOLLOWING VALVE SIZES ARE FURNISHED WITH THE FOLLOWING ACTUATOR SIZES:

VALVE SIZE	ACTUATOR SIZE
6" THRU 10"	MDT-2S
12" AND 14"	MDT-3S
16 THRU 20"	MDT-4S

PAINT: ALL PAINT ABOVE GRADE LEVEL: FIRE SAFETY RED  
ALL PAINT BELOW GRADE LEVEL: AMERCOAT 370 OXIDE RED

2	7/25/11	JTC	UPDATED PAINT	<i>RB</i>
1	10/29/06	SR	REMOVED MAT'L INFO	CEG
REV	DATE	BY	DESCRIPTION	APP.
<b>PRATT</b> HENRY PRATT COMPANY AURORA, ILL.				
GENERAL ARRANGEMENT DRAWING PIVA BUTTERFLY VALVES MONOFLANGE ENDS MDT ACTUATOR DETACHABLE HANDCRANK				
SCALE	NONE	DATE	6/12/06	
DRAWN BY	SR	CHECKED BY	JR	
APPROVED	GA=BORDER			
DRWG. NO.	GA-11599	REV	2	

