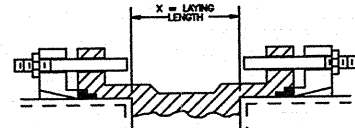
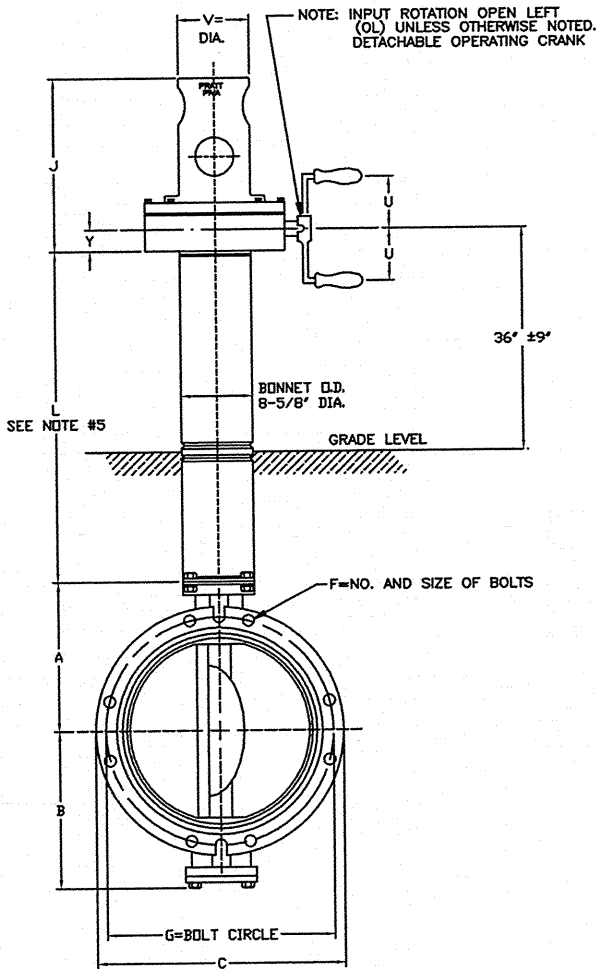
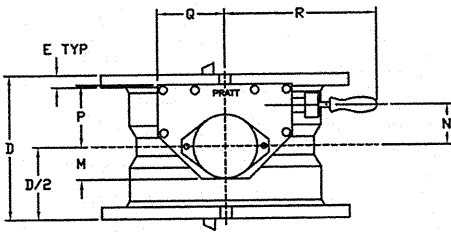


VALVE SIZE	A	B	C	D*	E	F	G	X
24	19-3/8	18-5/8	31-9/16	13-1/4	1-5/8	16--3/4	30	6-1/4
20	16-1/2	17	27-1/8	12-1/2	1-1/2	14--3/4	25-1/2	5-1/2

ACTUATOR SIZE	J	M	N	P	Q	R	U	V	Y	NUMBER OF TURNS
MDT-5	14-3/4	4-1/2	5-1/2	8-3/4	10-7/16	23-7/8	12-9/16	4-1/2	4-1/2	44
MDT-4S	13-1/2	3-3/8	4	7-5/16	6-3/4	18-11/16	12-9/16	4-1/2	2-7/8	40



INSTALLATION DIAGRAM
NOTE: BOLTS, NUTS, GLANDS AND GASKETS FURNISHED BY OTHERS.

NOTES:

- *1. ALL DIMENSIONS SHOWN IN INCHES. "D" DIMENSION $\pm 1/8"$.
- 2. VALVES MANUFACTURED AND TESTED IN ACCORDANCE WITH AWWA SPECIFICATIONS C-504, CLASS 150B.
- 3. ACTUATOR MOUNTED IN POSITION AS SHOWN.
- 4. VALVE ASSEMBLIES ARE UNDERWRITERS LABORATORIES (UL) LISTED AND FACTORY MUTUAL (FM) APPROVED FOR USE IN FIRE PROTECTION SYSTEMS.
- 5. FOR 24" VALVE: 48", 62", 80", 98" AND 116" BONNET LENGTHS ARE AVAILABLE. (SPECIAL LENGTHS ARE NEGOTIABLE.)
FOR 20" VALVE: 49", 67", 85", 103" AND 121" BONNET LENGTHS ARE AVAILABLE. (SPECIAL LENGTHS ARE NEGOTIABLE.)
- 6. THE 24" VALVE IS FURNISHED WITH AN MDT-5 ACTUATOR.
THE 20" VALVE IS FURNISHED WITH AN MDT-4S ACTUATOR.

PAINT: ALL PAINT ABOVE GRADE LEVEL: FIRE SAFETY RED
ALL PAINT BELOW GRADE LEVEL: AMERCOAT 370 OXIDE RED

REV	DATE	BY	DESCRIPTION	APP
3	7/14/15	RCB	REV. DIM."A"; ADD 20"	RCB
2	7/25/11	JTC	UPDATED PAINT	RCB
1	10/29/06	SR	REMOVED MAT'L INFO	CEG

PRATT HENRY PRATT COMPANY
AURORA, ILL.

GENERAL ARRANGEMENT DRAWING
PIVA FM-4 BUTTERFLY VALVE
20" & 24" MJE
MDT ACTUATOR
DETACHABLE HANDCRANK

SCALE	NONE	DATE	6/12/06
DRAWN BY	SR	CHECKED BY	JR
APPROVED	GA=BORDER		
DRWG. NO.	GA-11600	REV	3