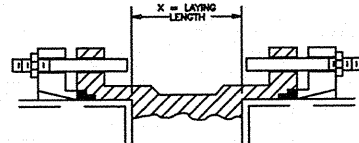
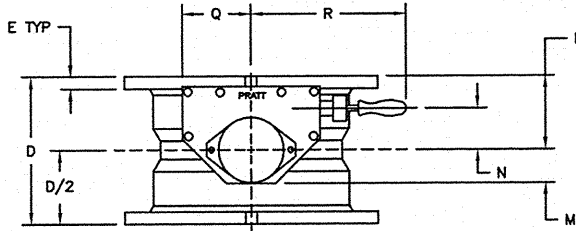
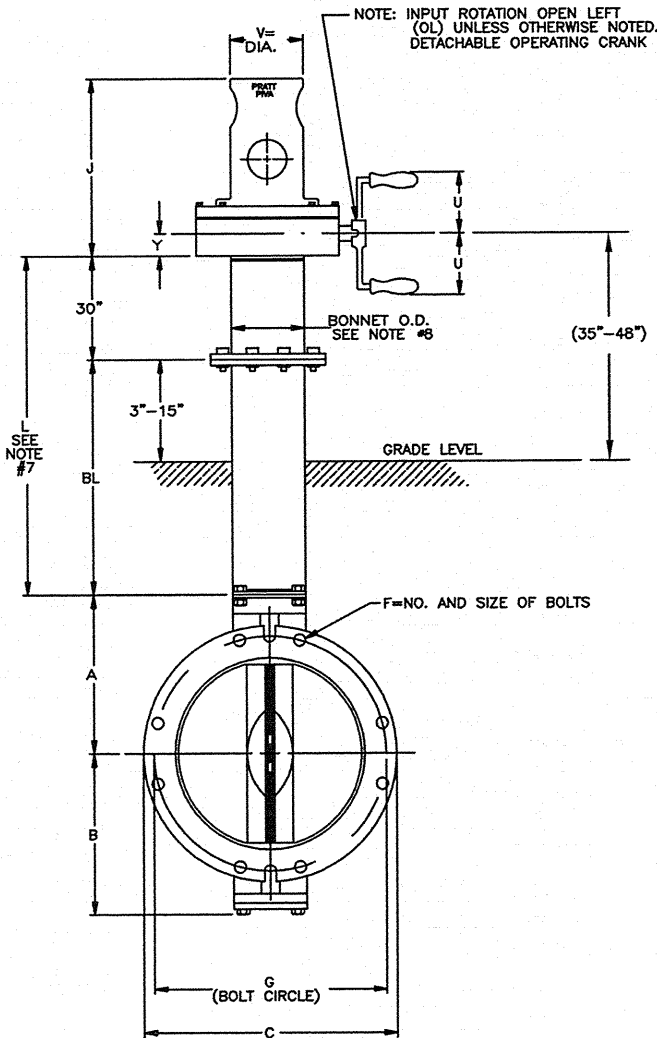


VALVE SIZE	ACTUATOR SIZE	A	B	C	D (SEE NOTE 1)	E	F	G	X	J	M	N	P	Q	R	U	V	Y	NUMBER OF TURNS
4	MDT-2S	5-7/8	4-1/2	9	8-1/8	1	4-3/4	7-1/2	3-1/8	12	2-1/8	2	4-1/2	4-1/2	13-5/16	8-5/8	4-1/2	2	32
6	MDT-2S	6-7/8	5-1/2	11	8-1/2	1-1/6	6-3/4	9-1/2	3-1/2	12	2-1/8	2	4-1/2	4-1/2	13-5/16	8-5/8	4-1/2	2	32
8	MDT-2S	8-1/2	6-3/4	13-1/4	8-5/8	1-1/8	6-3/4	11-3/4	3-5/8	12	2-1/8	2	4-1/2	4-1/2	13-5/16	8-5/8	4-1/2	2	32
10	MDT-3S	9-3/8	7-7/8	15-9/16	10	1-3/16	8-3/4	14	5	12-7/8	3-1/4	3-5/32	5-5/8	5-3/8	15-7/16	8-5/8	4-1/2	2-7/16	30
12	MDT-3S	11	11-3/8	17-15/16	10-1/2	1-1/4	8-3/4	16-1/4	5-1/2	12-7/8	3-1/4	3-5/32	5-5/8	5-3/8	15-7/16	8-5/8	4-1/2	2-7/16	30
14	MDT-3S	12-3/8	12-5/8	20-5/16	11-1/2	1-5/16	10-3/4	18-3/4	4-1/2	12-7/8	3-1/4	3-5/32	5-5/8	5-3/8	15-7/16	8-5/8	4-1/2	2-7/16	30
16	MDT-4S	14	14-1/2	22-9/16	12	1-7/16	12-3/4	21	5	13-1/2	3-3/8	4	7-5/16	6-3/4	18-3/4	12-9/16	4-1/2	2-27/32	40
18	MDT-4S	14-7/8	15-1/4	24-11/16	12-1/4	1-3/8	12-3/4	23-1/4	5-1/4	13-1/2	3-3/8	4	7-5/16	6-3/4	18-3/4	12-9/16	4-1/2	2-27/32	40



INSTALLATION DIAGRAM
NOTE: BOLTS, NUTS, GLANDS AND GASKETS FURNISHED BY OTHERS.



NOTES:

- ALL DIMENSIONS SHOWN IN INCHES. "D" DIMENSION $\pm 1/16"$ FOR 4" THRU 10" VALVES. "D" DIMENSION $\pm 1/8"$ FOR 12" THRU 18" VALVES.
- DIMENSIONS AND DRILLING OF MECHANICAL JOINT ENDS CONFORM TO ANSI AWWA C111 A21.11.
- (RECOMMENDATIONS FOR MATING FLANGES) WHERE INSULATING BUSHINGS ARE USED, IT IS NECESSARY THAT BOLT HOLES BE DRILLED OVERSIZE BY AN AMOUNT EQUAL TO TWO TIMES THE INSULATING SLEEVE THICKNESS TO MAINTAIN THE SAME MINIMUM CLEARANCE FOR BOLTS.
- VALVES MANUFACTURED AND TESTED IN ACCORDANCE WITH AWWA SPECIFICATIONS C-504.
- ACTUATOR MOUNTED IN POSITION AS SHOWN.
- VALVE ASSEMBLIES ARE UNDERWRITERS LABORATORIES (UL) LISTED AND APPROVED FOR USE IN FIRE PROTECTION SYSTEMS.
- BONNET LENGTHS ARE AVAILABLE IN 12" INCREMENTS. 54" TO 126" LENGTHS. (SPECIAL LENGTHS ARE NEGOTIABLE.)
- OUTER TUBE O.D. IS 4-1/2" ON VALVE SIZES 8" AND SMALLER, 5-9/16" ON VALVE SIZES 10" THRU 14", 6-5/8" ON VALVE SIZES 16" AND 18", 8-5/8".

PAINT: UPPER BONNET AND ACTUATOR: FIRE SAFETY RED
LOWER BONNET AND VALVE: AMERCOAT 370 OXIDE RED

01	12/16/15	JUR	REVISED DIM. J	
REV	DATE	BY	DESCRIPTION	APP
PRATT			HENRY PRATT COMPANY AURORA, ILL.	
GENERAL ARRANGEMENT DRAWING PIVA FM-5 250#UL BUTTERFLY VALVES MJE ENDS MDT ACTUATOR DETACHABLE HANDCRANK				
SCALE	NONE	DATE	3/3/15	
DRAWN BY	JUR	CHECKED BY	PPS	
APPROVED		GA=BORDER		
DRWG. NO.	GA-11920	REV	1	AC