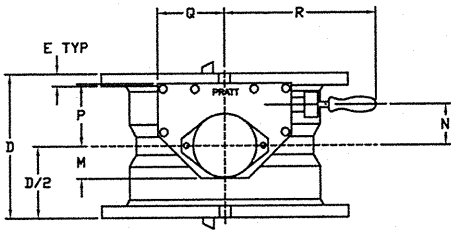
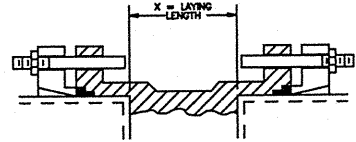
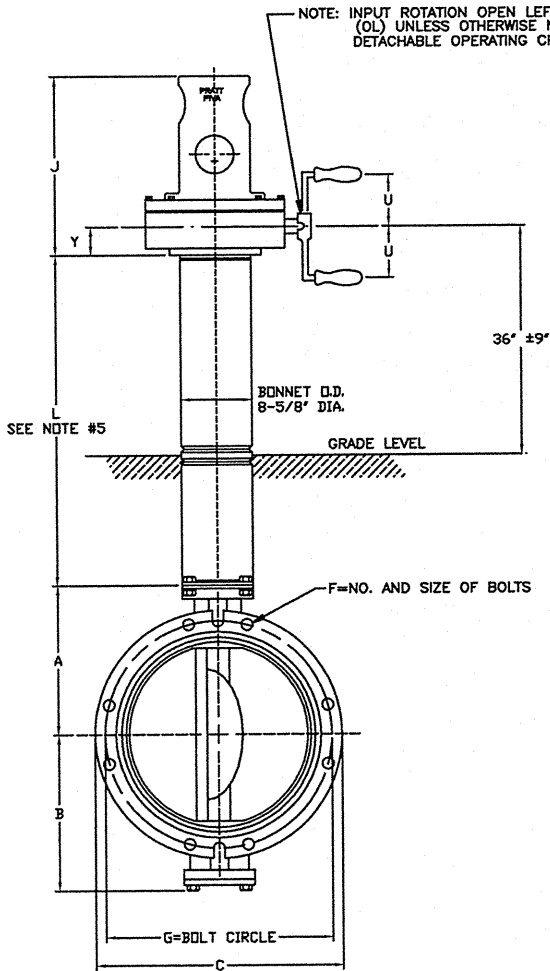


VALVE ACTUATOR SIZE	A	B	C	D <small>(SEE NOTE 1)</small>	E	F	G	X	J	M	N	P	Q	R	U	V	Y	NUMBER OF TURNS
20 MDT-5	16-1/2	17	27-3/32	12-1/2	1-1/2	14-3/4	25-1/2	5-1/2	11-13/16	3-3/8	5-1/2	8-3/4	10-1/8	24	12-9/16	4-1/2	4	44
24 MDT-5S	19-3/8	18-1/2	31-9/16	13-1/4	1-19/32	16-3/4	30	6-1/4	17-13/16	9-3/16	3-5/8	10-1/2	15-15/16	26-19/32	12-9/16	4-1/2	4-11/16	136



NOTE: INPUT ROTATION OPEN LEFT (OL) UNLESS OTHERWISE NOTED. DETACHABLE OPERATING CRANK



INSTALLATION DIAGRAM  
NOTE: BOLTS, NUTS, GLANDS AND GASKETS FURNISHED BY OTHERS.

NOTES:

1. ALL DIMENSIONS SHOWN IN INCHES. "D" DIMENSION  $\pm 1/8"$ .
2. VALVES MANUFACTURED AND TESTED IN ACCORDANCE WITH AWWA SPECIFICATIONS C-504.
3. ACTUATOR MOUNTED IN POSITION AS SHOWN.
4. VALVE ASSEMBLIES ARE UNDERWRITERS LABORATORIES (UL) LISTED AND APPROVED FOR USE IN FIRE PROTECTION SYSTEMS.
5. 48", 62", 80", AND 116" BONNET LENGTHS ARE AVAILABLE. (SPECIAL LENGTHS ARE NEGOTIABLE.)

PAINT: ALL PAINT ABOVE GRADE LEVEL: FIRE SAFETY RED  
ALL PAINT BELOW GRADE LEVEL: AMERCOAT 370 OXIDE RED

REV	DATE	BY	DESCRIPTION	APP.
<p><b>PRATT</b> HENRY PRATT COMPANY AURORA, ILL.</p> <p>GENERAL ARRANGEMENT DRAWING PVA BUTTERFLY VALVE FM-4 20"/24" 250# MJE ENDS MDT ACTUATOR DETACHABLE HANDCRANK (UL)</p>				
SCALE		NONE	DATE 3/3/15	
DRAWN BY		JUR	CHECKED BY <i>PRS</i>	
APPROVED		GA=BORDER		
DRWG. NO.	GA-11965		REV	0