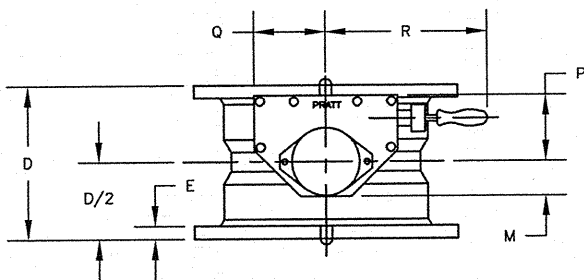
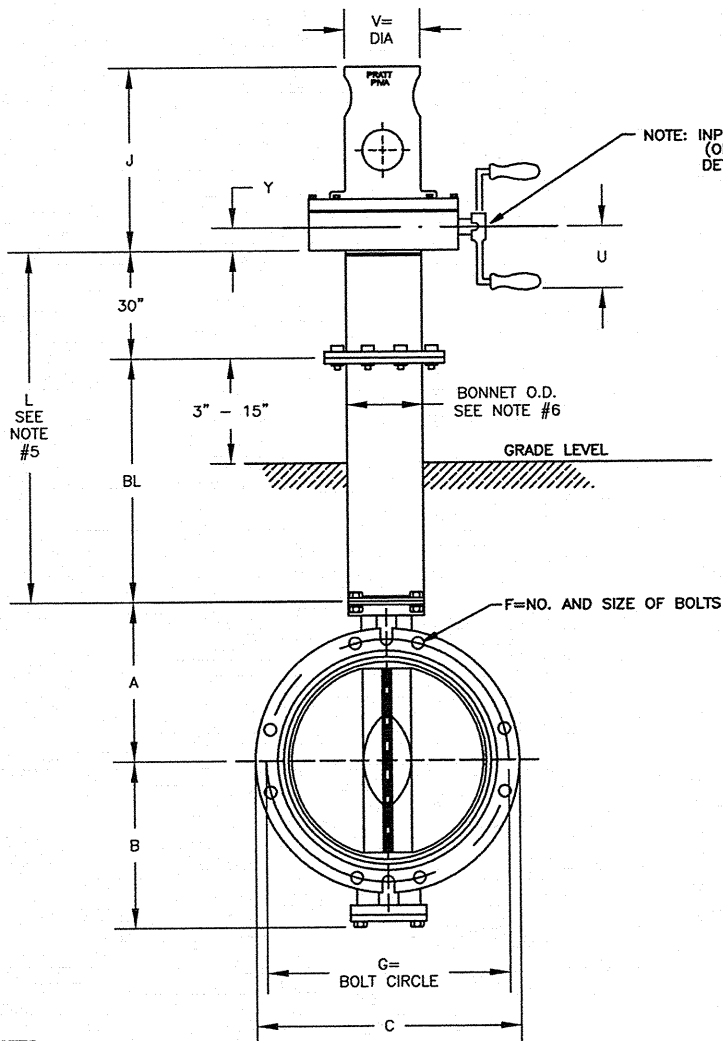


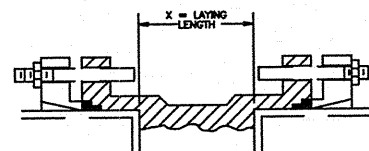
ACTUATOR SIZE	J	M	N	P	Q	R	U	V	Y	NUMBER OF TURNS
MDT-2S	12	2-1/8	2	4-1/2	4-1/8	11	8-5/8	4-1/2	2	32
MDT-3S	12-7/8	3-1/4	3-5/32	5-5/8	5-7/16	12-1/2	8-5/8	4-1/2	2-7/16	30
MDT-4S	13-1/2	3-3/8	4	7-5/16	6-3/4	18-11/16	12-9/16	4-1/2	2-7/8	40



VALVE SIZE	A	B	C	D*	E	F	G	X
4	5-1/2	4-1/2	9	8-1/8	1	4-3/4	7-1/2	3-1/8
6	6-7/8	5-1/8	11	8-1/2	1-1/16	6-3/4	9-1/2	3-1/2
8	8-1/8	6-1/2	13-1/4	8-5/8	1-1/8	6-3/4	11-3/4	3-5/8
10	9-3/8	9-7/8	15-9/16	9-1/4	1-3/16	8-3/4	14	4-1/4
12	10-7/8	11-3/8	17-15/16	9-1/4	1-1/4	8-3/4	16-1/4	4-1/4
14	12-1/4	12-5/8	20-5/16	11-1/2	1-5/16	10-3/4	18-3/4	4-1/2
16	14	14-1/2	22-9/16	12	1-3/8	12-3/4	21	5
18	14-7/8	15-3/8	24-11/16	12	1-7/16	12-3/4	23-1/4	5-1/4



NOTE: INPUT ROTATION OPEN LEFT (OL) UNLESS OTHERWISE NOTED. DETACHABLE OPERATING CRANK



INSTALLATION DIAGRAM  
NOTE: BOLTS, NUTS, GLANDS AND GASKETS FURNISHED BY OTHERS.

NOTES:

- ALL DIMENSIONS SHOWN IN INCHES. "D" DIMENSION  $\pm 1/16"$  FOR 4" THRU 10" VALVES. "D" DIMENSION  $\pm 1/8"$  FOR 12" THRU 18" VALVES.
- VALVES MANUFACTURED AND TESTED IN ACCORDANCE WITH AWWA SPECIFICATIONS C-504, CLASS 150B.
- ACTUATOR MOUNTED IN POSITION AS SHOWN.
- VALVE ASSEMBLIES ARE UNDERWRITERS LABORATORIES (UL) LISTED AND FACTORY MUTUAL (FM) APPROVED FOR USE IN FIRE PROTECTION SYSTEMS.
- BONNET LENGTHS ARE AVAILABLE IN 12" INCREMENTS. 54" TO 126" LENGTHS. (SPECIAL LENGTHS ARE NEGOTIABLE.)
- OUTER TUBE O.D. IS 4-1/2" ON VALVE SIZES 8" AND SMALLER, 5-9/16" ON VALVE SIZES 10" THRU 14", 6-5/8" ON VALVE SIZES 16" AND 18".
- THE FOLLOWING VALVE SIZES ARE FURNISHED WITH THE FOLLOWING ACTUATOR SIZES:

VALVE SIZE	ACTUATOR SIZE
4" THRU 8"	MDT-2S
10" AND 14"	MDT-3S
16 THRU 20"	MDT-4S

PAINT: UPPER BONNET AND ACTUATOR: FIRE SAFETY RED  
LOWER BONNET AND VALVE: AMERCOAT 370 OXIDE RED

2	7/10/15	RCB	REV. VLV TO MDT	
1	7/25/11	JTC	UPDATED PAINT	RCB
REV	DATE	BY	DESCRIPTION	APP
<b>PRATT</b>		HENRY PRATT COMPANY AURORA, ILL.		
GENERAL ARRANGEMENT DRAWING PIVA FM-5 BUTTERFLY VALVES MJE ENDS MDT ACTUATOR DETACHABLE HANDCRANK				
SCALE	NONE	DATE	9-24-09	
DRAWN BY	CEM	CHECKED BY	JR	
APPROVED		GA=BORDER		
DRWG. NO.	GA-12061	REV	2	AC