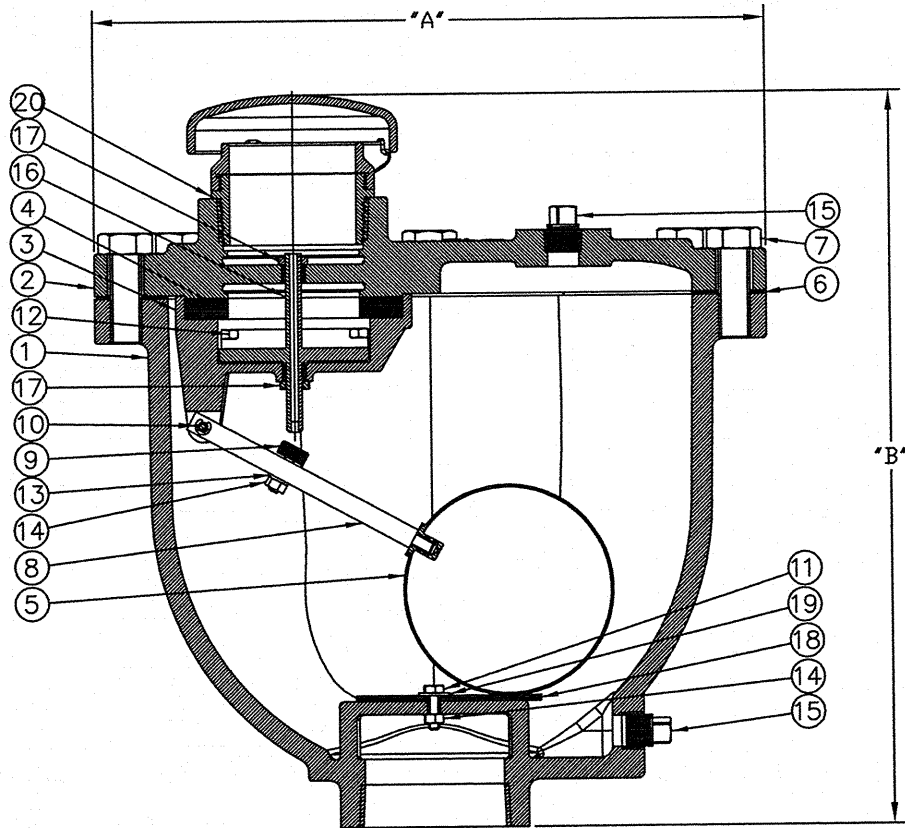


VALVE SIZE	ORIFICE SIZE	MAX C.W.P.	"A"	"B"	PART NUMBER	WT. (LBS)
1"	5/64	300	11-3/8	11-5/8	WCV10-564-300	40.6
2"	3/32	300	14	14-7/8	WCV20-332-300	75.5
3"	3/32	300	16	17-9/16	WCV30-332-300	114
4"	3/32	300	18-1/2	20	WCV40-332-300	161.9



VALVE SIZE DENOTES
NPT INLET SIZE

ITEM	DESCRIPTION	MATERIAL
1	BODY	DUCTILE IRON
2	COVER	DUCTILE IRON
3	LEVER FRAME	DUCTILE IRON
4	SEAT	BUNA OR EPDM
5	FLOAT	STAINLESS STEEL
6	GASKET	NON-ASBESTOS
7	COVER BOLT	STAINLESS STEEL
8	LEVER ARM	STAINLESS STEEL
9	BUTTON	BUNA OR EPDM
10	PIVOT PIN/RET. RING	STAINLESS STEEL
11	CUSHION RETAINER	STAINLESS STEEL
12	LEVER FRAME BRACKET	STAINLESS STEEL
13	LOCK WASHER	STAINLESS STEEL
14	LOCK NUT	STAINLESS STEEL
15	PIPE PLUG	STEEL OR STAINLESS STEEL
16	POPPET	STAINLESS STEEL
17	GUIDE BUSHING	STAINLESS STEEL
18	CUSHION	BUNA OR EPDM
19	WASHER	STAINLESS STEEL
20	VENT CAP	DUCTILE IRON

REV	DATE	BY	DESCRIPTION	APP
PRATT			HENRY PRATT COMPANY AURORA, ILL.	
1"-4" SINGLE BODY COMBINATION WATER AIR VACUUM VALVE				
SCALE	NONE	DATE	3/25/16	
DRAWN BY	JUR	CHECKED BY	RF	
APPROVED	GA-BORDER			
DRWG. NO.	GA-12309	REV 0	1/c	