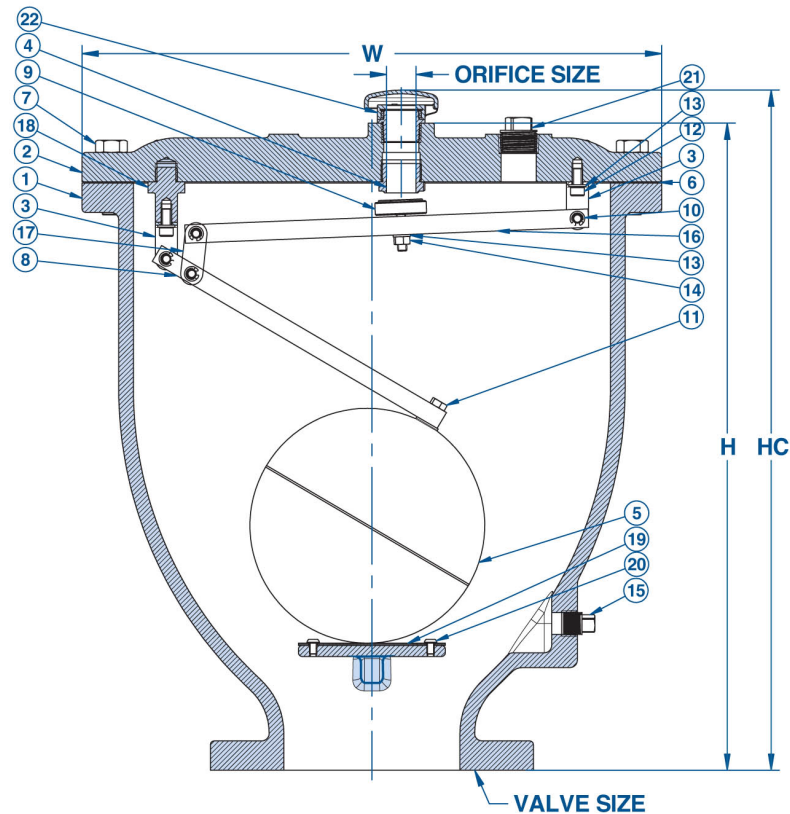


Series WAR 03 Air Release Valves – Compound Lever

Valve Size	Outlet Size	Orifice Size	Max C.W.P.	Inlet Connection	W	H	HC	Pratt Model #	Wt. (Lbs.)
6"	1"	1"	150	#125 Flg	18-3/4"	22"	23-1/4"	WAR-606010-001-150-F125	200.9



Part #	Description	Material
1	Body	ASTM A536 65-45 12
2	Cover	ASTM A536 65-45 12
3	Lever Bracket	ASTM A240 316SS
4	Seat	ASTM A276 316SS
5	Float	ASTM A240 316SS
6	Gasket	Non-Asbestos Fiber
7	Cover Bolt	ASTM F593 316SS
8	Short Lever Arm	ASTM A276 316SS
9	Button	Stainless Steel & Buna-N
10	Pivot Pin & Retaining Ring	Stainless Steel
11	Float Retainer	ASTM F593 316SS
12	Positioner	ASTM F879 316SS
13	Lock Washer	ASTM A240 316SS
14	Lock Nut	ASTM F593 316SS
15	Pipe Plug	Steel
16	Long Lever Arm	ASTM A276 316SS
17	Arm Link	ASTM A240 316SS
18	Lever Bracket Base	ASTM A276 316SS
19	Cushion	Buna-N
20	Cushion Retainer	ASTM F879 316SS
21	Pipe Plug	Steel
22	Vent Cap	ASTM A536 65-45 12