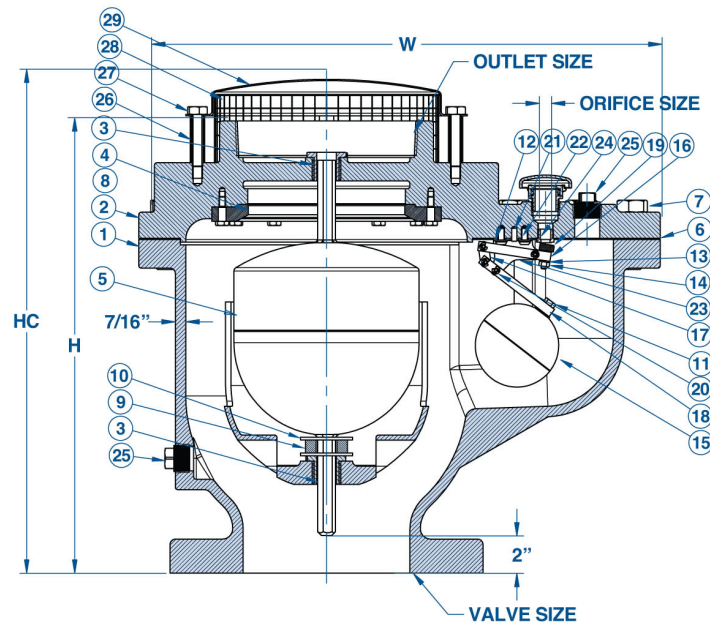


Series WCV 02 Combination Air Valves

Valve Size	Outlet Size	Orifice Size	Max C.W.P.	Inlet Connection	W	H	HC	Pratt Model #	Wt. (Lbs.)
6"	6"	3/8"	150	#125 Flg	21"	18-3/4"	20-1/2"	WCV-60-038-150-F125	233
6"	6"	7/32"	300	#250 Flg	21"	18-3/4"	20-1/2"	WCV-60-732-300-F250	233
8"	8"	3/8"	150	#125 Flg	25"	21-11/16"	23-11/16"	WCV-80-038-150-F125	373
8"	8"	7/32"	300	#250 Flg	25"	21-11/16"	23-11/16"	WCV-80-732-300-F250	373



Part #	Description	Material
1	Body	ASTM A536 65-45-12
2	Cover	ASTM A536 65-45-12
3	Bushing	ASTM A582 316SS
4	Seat	Buna-N
5	Float	ASTM A240 316SS
6	Gasket	ASTM A536 65-45-12
7	Cover Bolt	ASTM F593 316SS
8	Shoulder Screw	ASTM F593 316SS
9	Cushion Bumper	Buna-N
10	Washer	ASTM A240 316SS
11	Float Retainer	ASTM F593 316SS
12	Lock Washer	ASTM A240 316SS
13	Lock Washer	ASTM A240 316SS
14	Lock Nut	ASTM F594 316SS
15	Float	ASTM A240 316SS
16	Long Lever Arm	ASTM A582 316SS
17	Arm Link	ASTM A240 316SS
18	Short Lever Arm	ASTM A582 316SS
19	Button	316SS & Buna-N
20	Pivot Pin & Retaining Ring	Stainless Steel
21	Positioning Pin	420SS
22	Positioner	ASTM F879 316SS
23	Lever Bracket	ASTM A240 316SS
24	Seat	ASTM A582 316SS
25	Pipe Plug	Steel
26	Hood	Steel
27	Hood Bolt	Steel
28	Screen	Steel
29	Vent Cap	ASTM A536 65-45-12