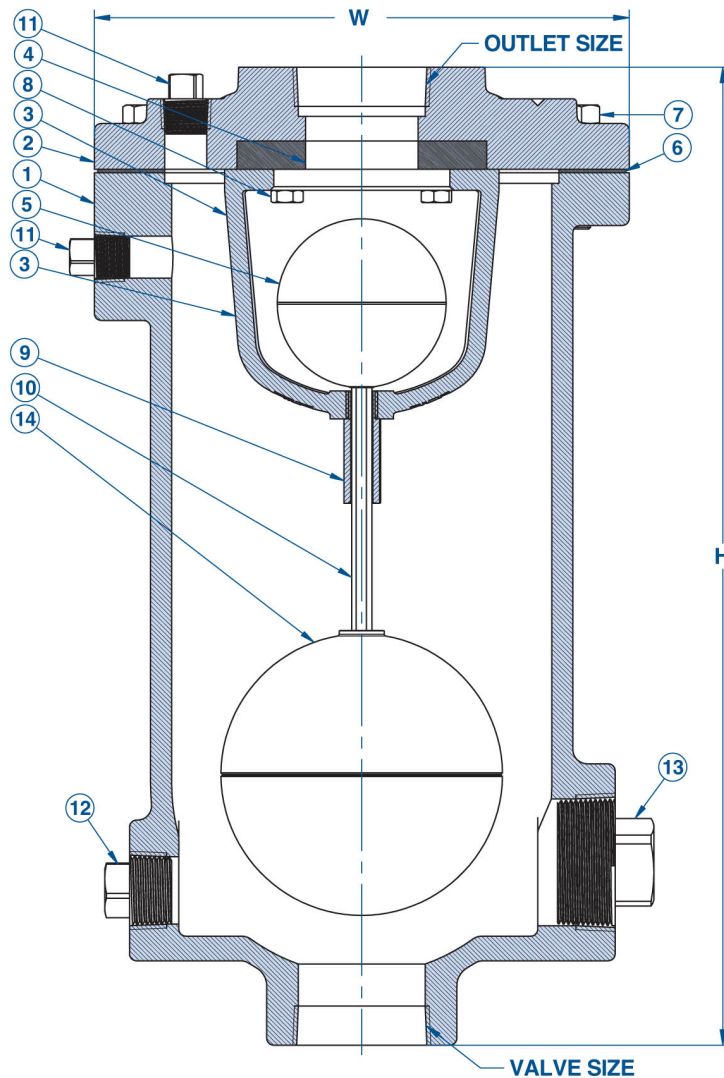


Series WWAV 01 Wastewater Air Vacuum Valves

Valve Size	Outlet Size	Max C.W.P.	Inlet Connection	W	H	Pratt Model #	Wt. (Lbs.)
2"	1"	150	NPT	7"	15-1/16"	WWAV-20-1-150	40.6
2"	2"	150	NPT	9-1/2"	17-7/16"	WWAV-20-150	66.8
3"	3"	150	NPT	9-1/2"	17-7/16"	WWAV-30-150	69.5



Part #	Description	Material
1	Body	ASTM A536 65-45-12
2	Cover	ASTM A536 65-45-12
3	Baffle	ASTM A536 65-45-12
4	Seat	Buna-N
5	Float	ASTM A240 316SS
6	Gasket	Non-Asbestos Fiber
7	Cover Bolt	ASTM F593 316SS
8	Baffle Bracket	ASTM F593 316SS
9	Guide Bushing	ASTM A582 316SS
10	Guide Shaft	ASTM A240 316SS
11	Pipe Plug	Steel
12	Pipe Plug	Steel
13	Pipe Plug	Steel
14	Float	ASTM A240 316SS