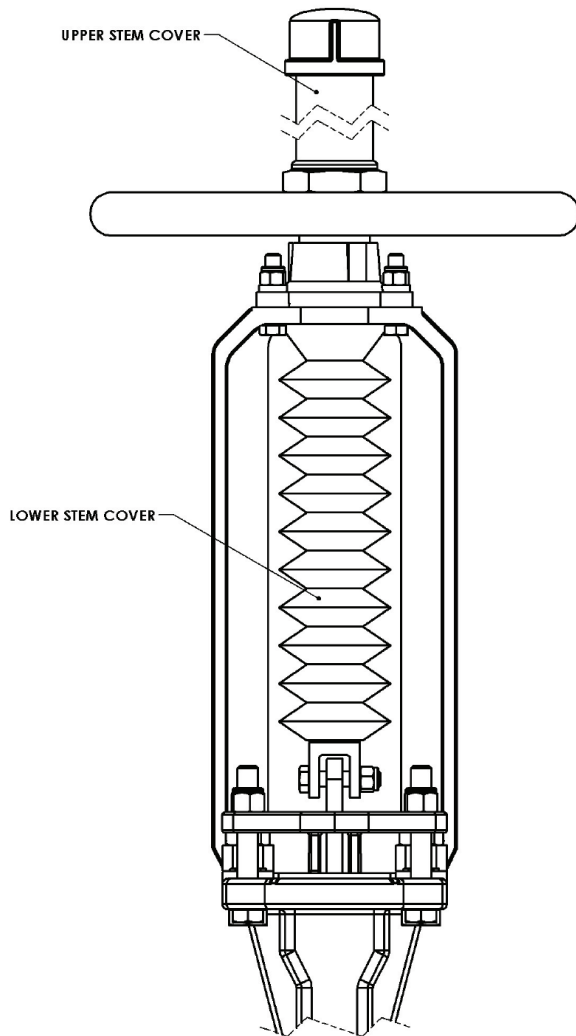
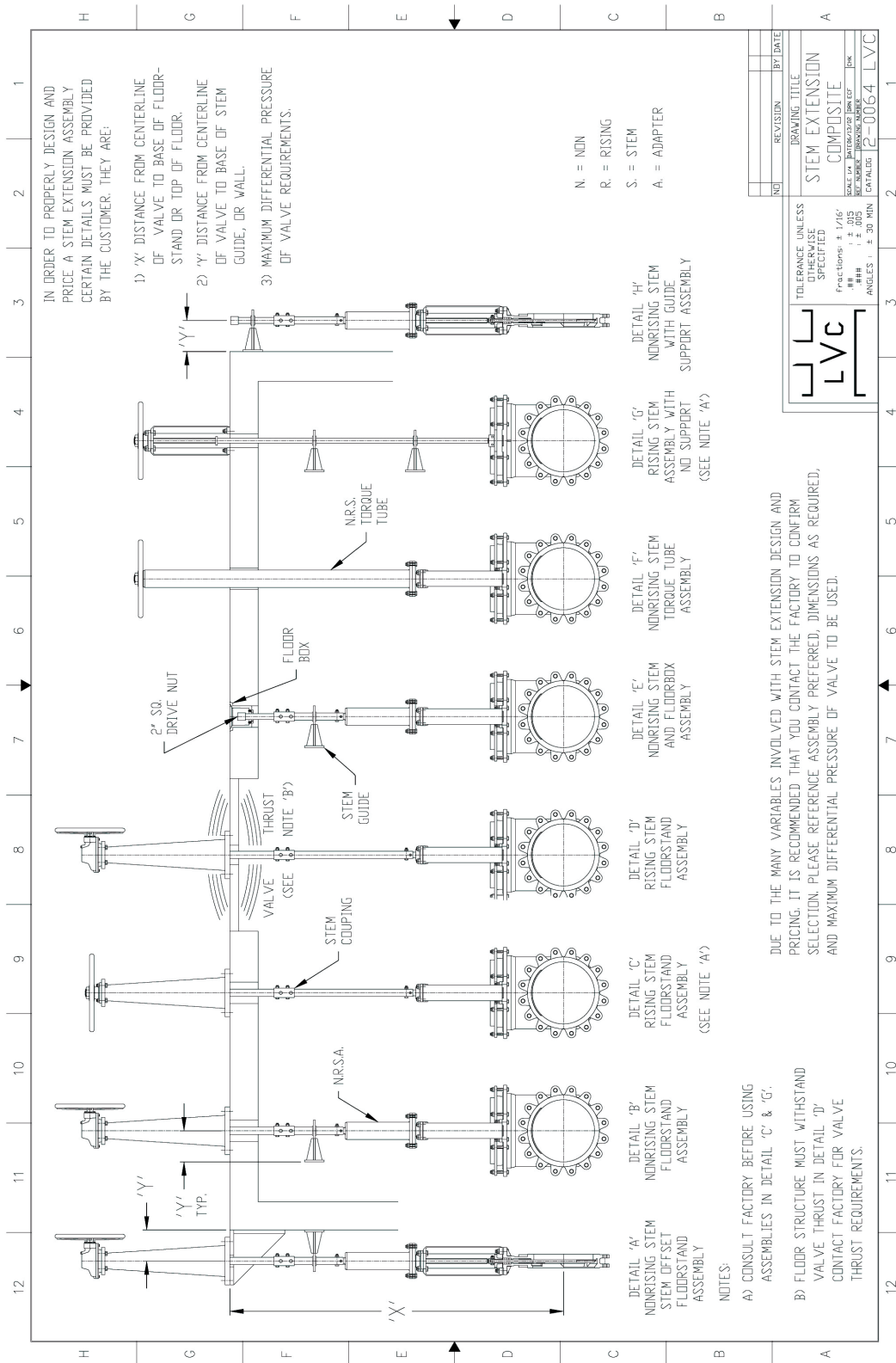


675 Mitchell Avenue  
Woodland, WA 98674  
Phone: 360-225-1230  
888-256-5779  
Fax: 360-225-1235  
www.henrypratt.com



### Features

- Stem covers protect the stem from falling debris and are not necessarily dust tight. For dust tight covers, consult the factory.
- **NOTE:** The lower stem cover may reduce the opening stroke of the valve.



The trademarks, logos and service marks displayed in this document herein are the property of Henry Pratt Company, LLC, its affiliates or other third parties. Products above marked with a section symbol (§) are subject to patents or patent applications. For details, visit [www.mwppat.com](http://www.mwppat.com).

Copyright © 2016 Henry Pratt Company, LLC. All Rights Reserved.

Form 13256 9/2016