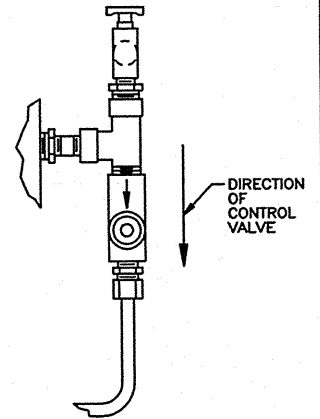
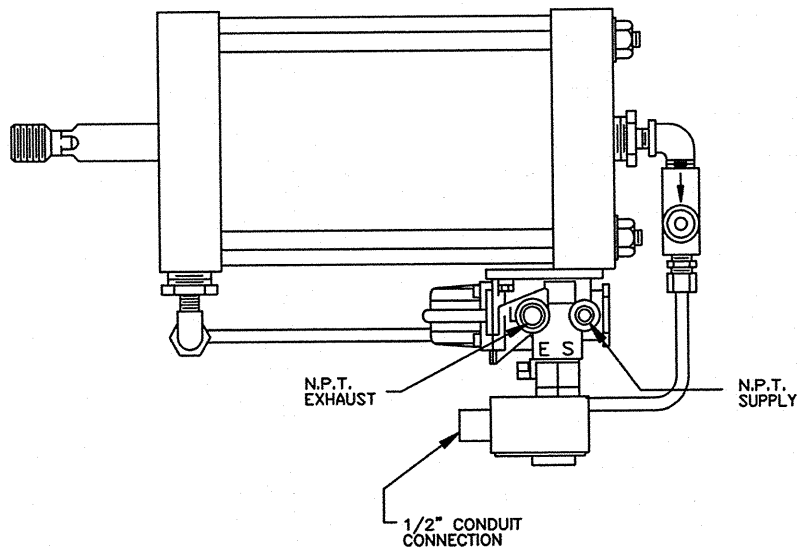
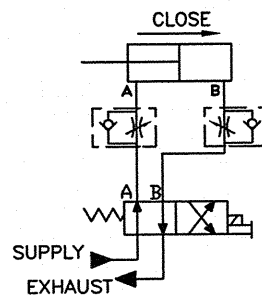
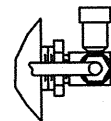
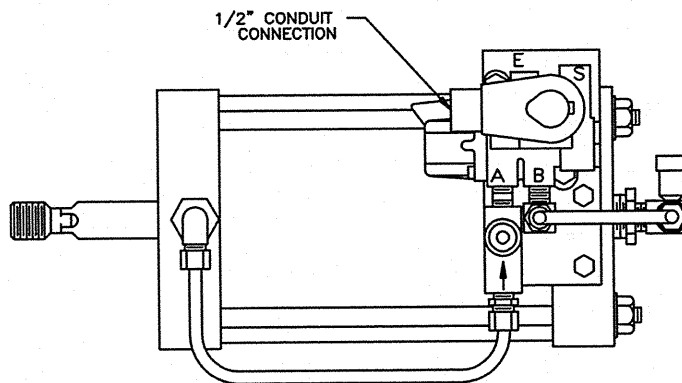
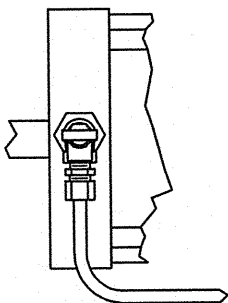


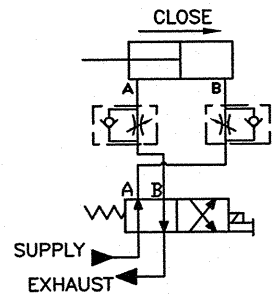
ALTERNATE FOR MDT
W/MANUAL OVERRIDE



ALTERNATE FOR MDT
W/MANUAL OVERRIDE



PIPING SCHEMATIC A



PIPING SCHEMATIC B

SCHEMATIC "A" (ENERGIZE TO OPEN) IS FURNISHED. PIPING TO 4-WAY VALVE PORTS "A" AND "B" CAN BE REVERSED AS SHOWN IN PIPING SCHEMATIC "B" (ENERGIZE TO CLOSE IF REQUIRED)



- NOTES:
1. SOLENOID VALVE COIL VOLTAGES ARE SUITABLE FOR 120 AC.
 2. THE SOLENOID VALVE USED IN THIS SYSTEM IS RATED FOR 125 PSIG SERVICE. SYSTEMS WITH HIGHER SUPPLY PRESSURES MUST UTILIZE A REGULATOR AND RELIEF VALVE, BY OTHERS.



11/7/11	MEM	ADDED VALVE RATINGS.	SS
9/17/04	BZ	REMOVED OPER SPEC.	JR
REV	DATE	BY	DESCRIPTION
			APP

PRATT HENRY PRATT COMPANY
AURORA, ILL.

MDT WITH CYLINDER ACTUATOR
4-WAY SOLENOID VALVE
WITH FLOW CONTROLS AND
MANUAL OVERRIDE

SCALE NONE DATE 5-2-03

DRAWN BY DSL CHECKED BY JR

APPROVED GA-BORDER

DRWG. NO. GA-10509 REV 2 A/c