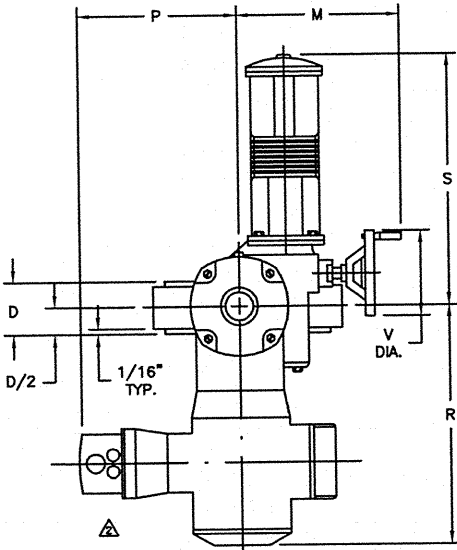


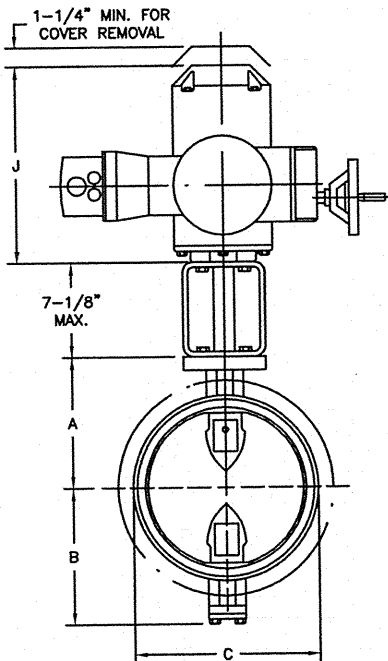
VALVE SIZE	A	B	C	D
3	4-3/4	3-1/4	5-1/4	2-1/16
4	5-1/2	3-1/2	6-3/4	2-5/16
6	6-1/2	5-1/8	8-5/8	2-15/16
8	7-3/4	6-1/2	10-7/8	3-1/16
10	9	9-7/8	13-1/4	3-3/16
12	10-1/2	11-3/8	16	3-7/16
14	11-7/8	12-5/8	17-5/8	3-11/16
16	13-1/2	14-1/2	20-1/8	4-3/16

MODEL	J	M	P	R	S	V
504,704	11-1/2	8-1/2	9-1/4	13-3/4	15	6-3/8
524,724	12-3/8	9-1/4	9-1/4	13-3/4	15	6-3/8

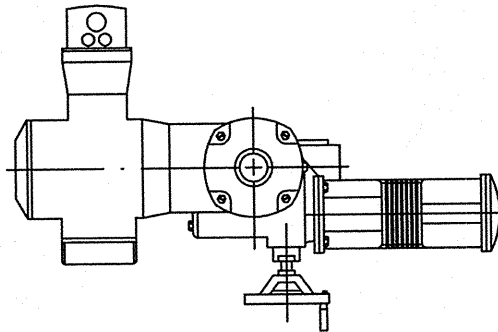


POSITION 01

WIRING DIAGRAM	
MODEL	DRAWING NO.
504/524	GA-11652
704/724	GA-11653



NOTE: DIMENSION "C" ALLOWS CLEARANCE FOR 150 LB OR 125 LB A.S.A. BOLT LAYOUT.



POSITION 02

NOTES:

- ALL DIMENSIONS SHOWN IN INCHES. "D" DIMENSION 1/16" FOR 3" THRU 10" VALVES. "D" DIMENSION 1/8" FOR 12" THRU 16" VALVES.
- VALVES MANUFACTURED AND TESTED IN ACCORDANCE WITH AWWA SPECIFICATIONS C-504-LATEST, CLASS 150B.
- SUPPLIED WITH (2) 3/4" NPT CONDUIT ENTRIES.

REV	DATE	BY	DESCRIPTION	APP
06/24/13	JTC		UPDATED TITLE, MODEL DMS	RCB
03/19/07	ES		UPDATE WIRING DIAGRAMS	PPS

**PRATT** HENRY PRATT COMPANY  
AURORA, ILL.

GENERAL ARRANGEMENT DRAWING  
MONOFLANGE MARK II BUTTERFLY VALVE  
POSITION II & III OPEN/CLOSE  
WITH PUSHBUTTONS

SCALE NONE DATE 6/9/06

DRAWN BY SR CHECKED BY JR

APPROVED GA=BORDER

DRWG. NO. GA-11581 REV 2