

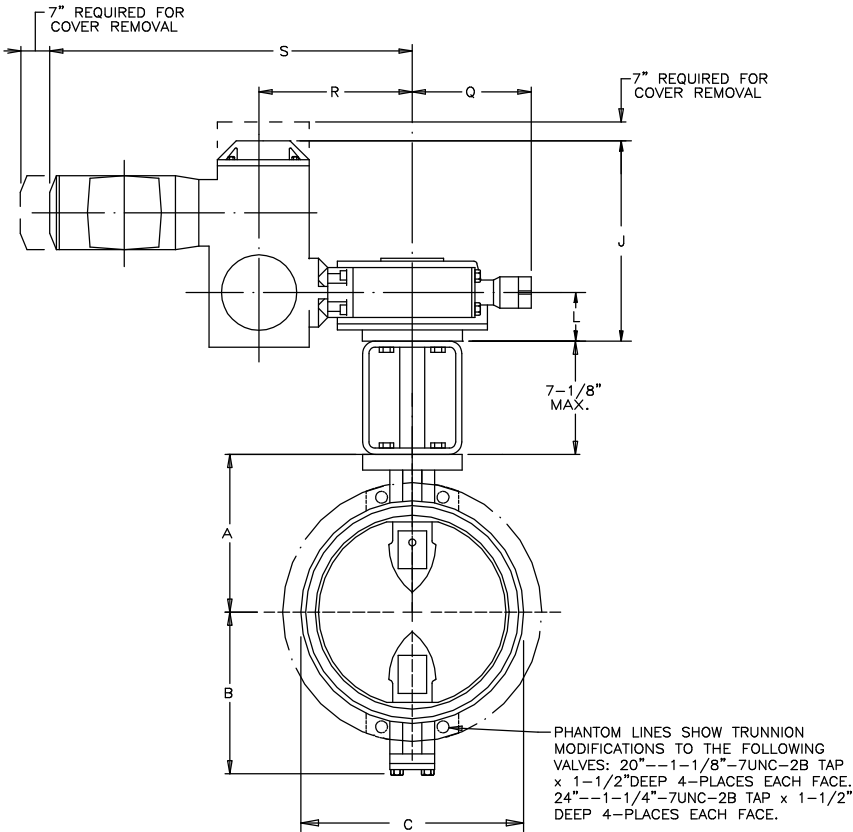
ACTUATOR POSITION A-3

VALVE SIZE	A	B	C	D
18	14-3/8	15-3/8	21-1/2	4-11/16
20	16	17	23-3/4	5-3/16

MODEL	J	L	M	N	P	Q	R	S	V
534,734	12-3/4	3	10-1/8	4	17-1/4	7-1/2	10-5/8	28-5/8	8

WIRING DIAGRAM	
MODEL	DRAWING NO.
534	GA-11664
734	GA-11653

②
②



NOTE: DIMENSION "C" ALLOWS CLEARANCE FOR 150 LB OR 125 LB A.S.A. BOLT LAYOUT.

NOTES:

1. ALL DIMENSIONS SHOWN IN INCHES. "D" DIMENSION 1/16" FOR 3" THRU 10" VALVES. "D" DIMENSION 1/8" FOR 12" THRU 20" VALVES.
2. VALVES MANUFACTURED AND TESTED IN ACCORDANCE WITH AWWA SPECIFICATIONS C-504-LATEST, CLASS 150B.
3. SUPPLIED WITH (2) 3/4" NPT CONDUIT ENTRIES.

①

REV.	DATE	BY	DESCRIPTION	APP.
2	3/19/07	ES	UPDATE WIRING DIAGRAMS	
1	10/29/06	SR	REMOVED MAT'L AND PAINT INFO	CEG

PRATT HENRY PRATT COMPANY
AURORA, ILL.

GENERAL ARRANGEMENT DRAWING
MONOFLANGE MARK II BUTTERFLY VALVE
POSITRON II & III
OPEN/CLOSE WITH CONTROLS

SCALE NONE DATE 6/9/06

DRAWN BY SR CHECKED BY JR

APPROVED GA=BORDER

DRWG. NO. GA-11584 REV 2 A/C