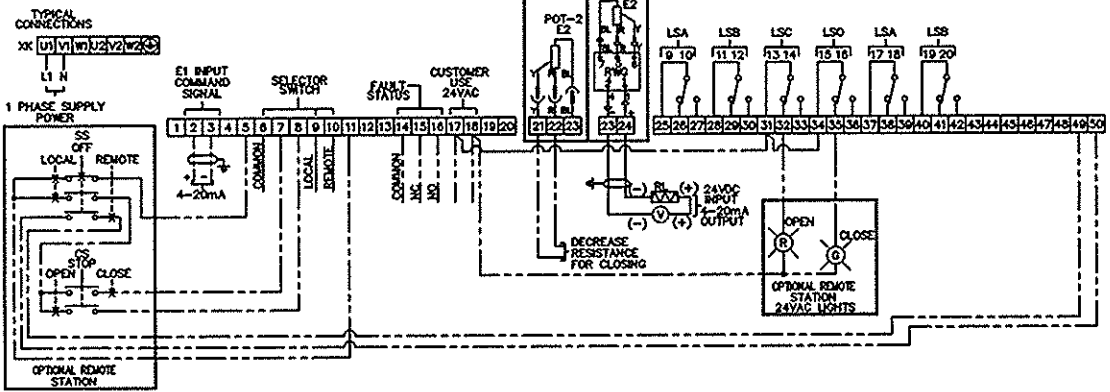


LEGEND			
A2	LOGIC BOARD		
A7	POSITIONER BOARD		
A8	POWER SUPPLY		
A20	MONITORED CONTROL BOARD		
A22	REMOTE COMMAND BOARD		
F1	PRIMARY FUSE		
F3-F4	SECONDARY FUSES		
H	HEATER		
K1-K2	REVERSING CONTACTOR		
K9	FAULT STATUS RELAY		
LSA (MOR)	LIMIT SWITCH INTERMEDIATE		
LSB (MOL)	LIMIT SWITCH INTERMEDIATE		
LSC (MSR)	LIMIT SWITCH CLOSE		
LSO (MOL)	LIMIT SWITCH OPEN		
M	MOTOR		
POT	POTENTIOMETER		
PTW	POSITION TRANSMITTER		
S1	SW-TORQUE SEATING, OPEN		
S2	SW-SEAL-IN BLURTER, TORQUE FAULT		
S3	SWITCH - TORQUE SEATING, CLOSE		
SS	SELECTOR SWITCH		
TH	MOTOR THERMAL SW. (AUTO-RESET)		
TSC (OSR)	TORQUE SWITCH CLOSE		
TSD (DOL)	TORQUE SWITCH OPEN		
SYM.	DESCRIPTION	SYM.	DESCRIPTION
(X)	LIGHTS	(I)	INVERTER
(X)	CUSTOMER TERMINATION	(AND)	AND GATE
(R)	CONTROL RELAY	(S)	SOLDER LINKS

CONTACT	VALVE POSITION		
	OPEN	INTERMEDIATE	CLOSE
TSC	1		
	2		
TSD	3		
	4		
LSC	5		
	6		
	7		
LSO	8		
	9		
LSA	10		
	11		
LSB	12		
	13		
LSC	14		
	15		
LSO	16		
	17		
LSA	18		
	19		
LSB	20		



NOTES:

1. --- FIELD WIRING BY OTHERS
2. PAIRED SWITCHES WITHIN BRACKETS MUST HAVE SAME VOLTAGE
3. ACTUATOR DRAWING SHOWS THE UNIT IN THE MID-POSITION
4. FAULT STATUS K9 SHOWN IN FAULT CONDITION.
*FAULT STATUS INCLUDES: (COLLECTIVE)
• THERMAL OVERLOAD | • LOSS OF POWER
• LOSS OF PHASE | • TORQUE SW TRIP (MID-TRAVEL)
5. J1-J3 SOLDER LINKS FOR LIGHTS ON IN MID TRAVEL OR
J2-J4 SOLDER LINKS FOR LIGHTS ON AT END OF TRAVEL

REF: MSP1A3700--2F4JE1 KMS91TP102/271 (HP-GA11651) -S

DRAWN BY: ES DRAWN DATE: 2-23-07 APPROVED BY: <i>pps</i> APPROVED DATE: <i>3-1-07</i> PROPRIETARY INFORMATION DO NOT COPY OR REPRODUCE WITHOUT WRITTEN PERMISSION FILE: J:\GA1 LAST MODIFIED:		Henry Pratt Company 401 S. Highland Ave Aurora, IL 60506 TITLE: WIRING FOR PRATT POSITRON II 504 & 524 MODULATING W/CONTROLS SIZE: B PART # N/A SHEET: 1 OF 1 SCALE: NONE DRAWING: GA-11651 REV: 0	C D
---	--	---	--------