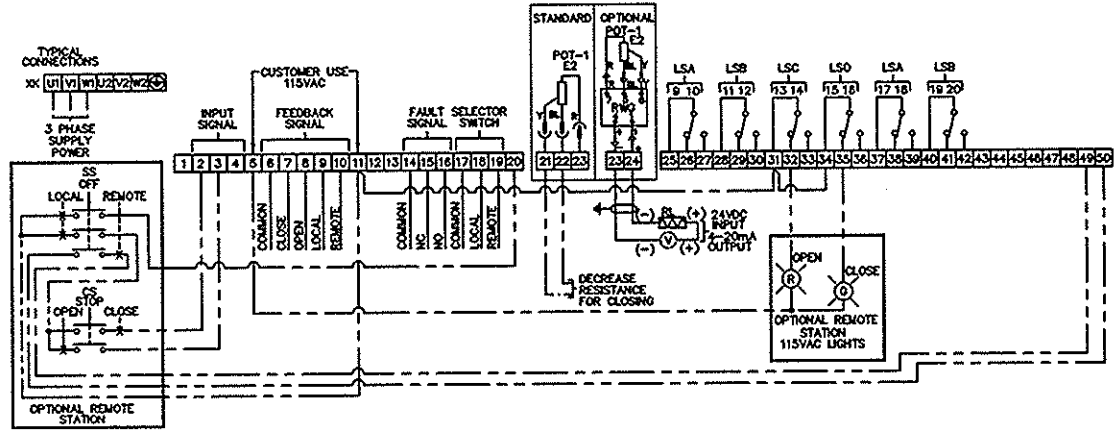
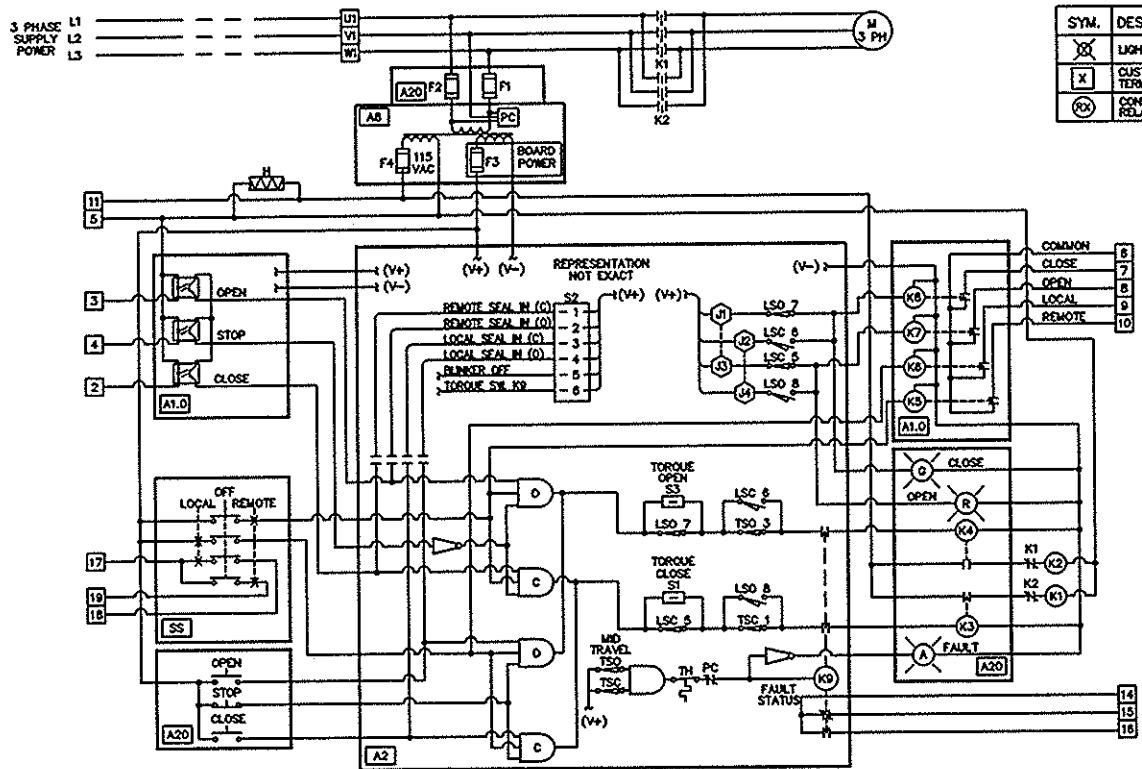


REV	ECN	DESCRIPTION	DATE	DWN	APP
1	N/A	ADDED "734" TO TITLE BLOCK	3-14-07	ES	[Signature]

SYM.	DESCRIPTION	SYM.	DESCRIPTION
[Light symbol]	LIGHTS	[Inverter symbol]	INVERTER
[X symbol]	CUSTOMER TERMINATION	[AND gate symbol]	AND GATE
[Control relay symbol]	CONTROL RELAY	[Solder link symbol]	SOLDER LINKS

LEGEND	
A1.0	INTERFACE BOARD
A2	LOGIC BOARD
A8	POWER SUPPLY
A20	MONITOR/CONTROL BOARD
F1-F2	PRIMARY FUSE
F3-F4	SECONDARY FUSE
H	HEATER
K1-K2	REVERSING CONTACTOR
K3-K4	INTERPOSING RELAYS
K5-K8	STATUS RELAY
K9	FAULT STATUS RELAY
LSA (WOL)	LIMIT SWITCH INTERMEDIATE
LSB (WOL)	LIMIT SWITCH INTERMEDIATE
LSC (WSR)	LIMIT SWITCH CLOSE
LSO (WOL)	LIMIT SWITCH OPEN
M	MOTOR
PC	PHASE CORRECTION
POT	POTENTIOMETER
RWQ	POSITION TRANSMITTER
S1	SW-TORQUE SEATING, OPEN
S2	SW-SEAL-IN, BLINKER, TORQUE FAULT
S3	SWITCH - TORQUE SEATING, CLOSE
SS	SELECTOR SWITCH
TH	MOTOR THERMAL SW. (AUTO-RESET)
TSC (OSR)	TORQUE SWITCH CLOSE
TSD (OOL)	TORQUE SWITCH OPEN
XX	CUSTOMER CONNECTIONS

CONTACT	VALVE POSITION		
	OPEN	INTERMEDIATE	CLOSE
TSC 1			
TSC 2			
TSD 3			
TSD 4			
LSC 5			
LSC 6			
LSC 7			
LSC 8			
LSA 9			
LSA 10			
LSA 11			
LSB 12			
LSB 13			
LSB 14			
LSB 15			
LSB 16			
LSA 17			
LSA 18			
LSA 19			
LSB 20			



- NOTES:
- FIELD WIRING BY OTHERS
  - PAIRED SWITCHES WITHIN BRACKETS MUST HAVE SAME VOLTAGE
  - ACTUATOR DRAWING SHOWS THE UNIT IN THE MID-POSITION
  - FAULT STATUS K9 SHOWN IN FAULT CONDITION.  
\*FAULT STATUS INCLUDES: (COLLECTIVE)
    - THERMAL OVERLOAD
    - LOSS OF POWER
    - LOSS OF PHASE
    - TORQUE SW. TRIP (MID-TRAVEL)
  - J1-J3 SOLDER LINKS FOR LIGHTS ON IN MID TRAVEL OR J2-J4 SOLDER LINKS FOR LIGHTS ON AT END OF TRAVEL
  - DRAWING SHOWN WITHOUT PHASE CORRECTION. OPEN-CLOSE WILL BE SWITCHED IF ACTIVATED.

REF: MSP1A10KC5--F2;E1 KMS 9TP102/231-5 (HP-GA11653) -S

DRAWN BY: ES	<b>PRATT</b> <sup>®</sup>	Henry Pratt Company 401 S. Highland Ave Aurora, IL 60508		C A D		
DRAWN DATE: 2-26-07		TITLE: WIRING FOR PRATT POSITRON III 704, 724, & 734 OPEN CLOSE W/CONTROLS				
APPROVED BY: PPS	APPROVED DATE: 3-1-07		SIZE: B	PART #	N/A	SHEET: 1 OF 1
PROPRIETARY INFORMATION DO NOT COPY OR REPRODUCE WITHOUT WRITTEN PERMISSION			SCALE: NONE	DRAWING: GA-11653	REV: 1	
FILE: J\GM LAST MODIFIED:						