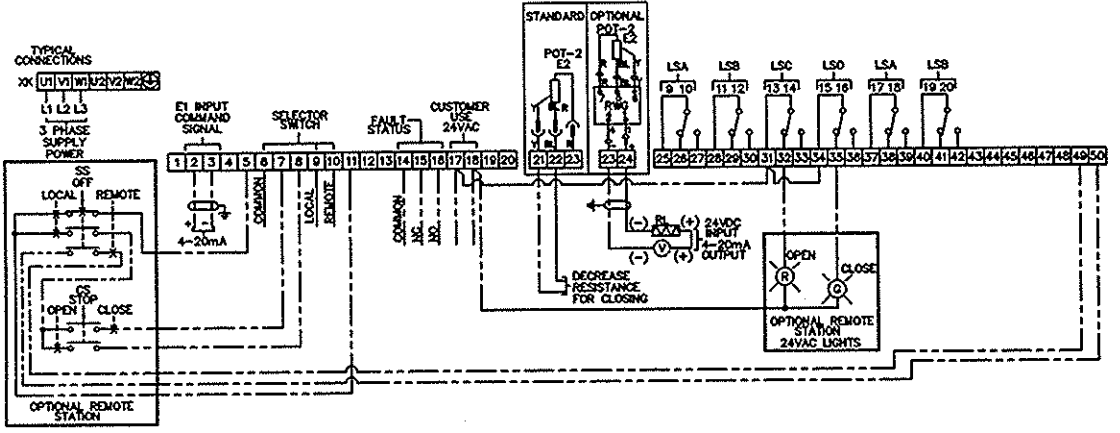
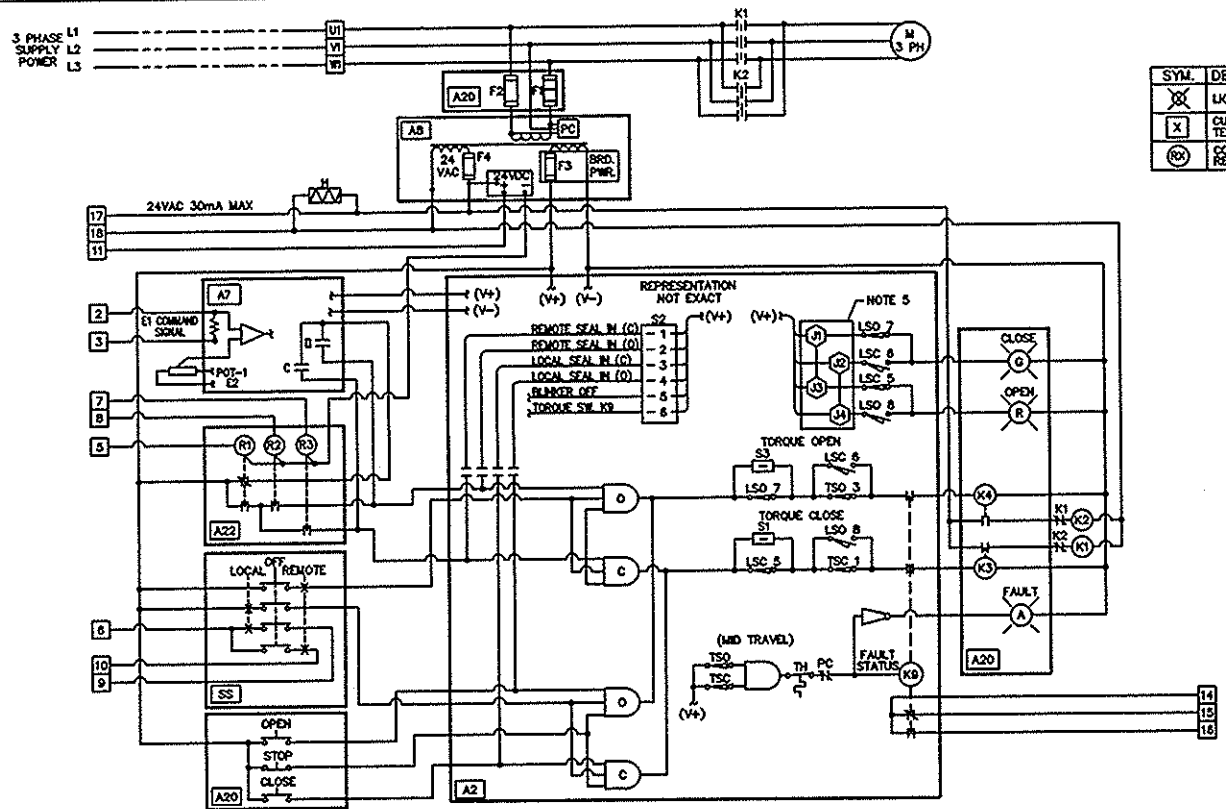


REV	ECN	DESCRIPTION	DATE	DWN	APP
1	N/A	ADDED "734" TO TITLE BLOCK	3-14-07	ES	PPS

SYM.	DESCRIPTION	SYM.	DESCRIPTION
(X)	LIGHTS	(I)	INVERTER
(X)	CUSTOMER TERMINATION	(G)	AND GATE
(S)	CONTROL RELAY	(S)	SOLDER LINKS

LEGEND	
A2	LOGIC BOARD
A7	POSITIONER BOARD
A8	POWER SUPPLY
A20	SIGNAL AND CONTROL BOARD
A22	REMOTE COMMAND BOARD
F1-F2	PRIMARY FUSES
K1-K2	REVERSING CONTACTOR
K9	FAULT STATUS RELAY
LSA (WOL)	LIMIT SWITCH INTERMEDIATE
LSB (WOL)	LIMIT SWITCH INTERMEDIATE
LSC (WSR)	LIMIT SWITCH CLOSE
LSD (WOL)	LIMIT SWITCH OPEN
PC	PHASE CORRECTOR
POT	POTENTIOMETER
RNG	POSITION TRANSMITTER
S1	SW-TORQUE SEATING, OPEN
S2	SW-SEAL-IN, BLUNKER, TORQUE FAULT
S3	SW-TORQUE SEATING, CLOSE
SS	SELECTOR SWITCH
TH	MOTOR THERMAL SW. (AUTO-RESET)
TSC (DSR)	TORQUE SWITCH CLOSE
TSD (DOL)	TORQUE SWITCH OPEN
XX	CUSTOMER CONNECTIONS

CONTACT	VALVE POSITION		
	OPEN	INTERMEDIATE	CLOSE
TSC			
TSD			
LSC			
LSD			
LSA			
LSB			
LSC			
LSD			
LSA			
LSB			
LSC			
LSD			
LSA			
LSB			



NOTES:

1. --- FIELD WIRING BY OTHERS
2. PAIRED SWITCHES WITHIN BRACKETS MUST HAVE SAME VOLTAGE
3. ACTUATOR DRAWING SHOWS THE UNIT IN THE MID-POSITION
4. FAULT STATUS K9 SHOWN IN FAULT CONDITION.  
\*FAULT STATUS INCLUDES: (COLLECTIVE)  
• THERMAL OVERLOAD | • LOSS OF POWER  
• LOSS OF PHASE | • TORQUE SW. TRIP (MID-TRAVEL)
5. J1-J3 SOLDER LINKS FOR LIGHTS ON IN MID TRAVEL OR  
J2-J4 SOLDER LINKS FOR LIGHTS ON AT END OF TRAVEL
6. DRAWING SHOWN WITHOUT PHASE CORRECTION.  
OPEN-CLOSE WILL BE SWITCHED IF ACTIVATED.

REF: MSP 1A1700--2F4JE1 KMS 9TP102/271 (HP-GA11654) --S

DRAWN BY: ES	<b>PRATT</b> <sup>®</sup>	Henry Pratt Company 401 S. Highland Ave Aurora, IL 60506		C A D
DRAWN DATE: 2-26-07		TITLE: WIRING FOR PRATT POSITRON III 704, 724, & 734 MODULATING W/CONTROLS		
APPROVED BY: PPS	APPROVED DATE: 3-1-07		PROPRIETARY INFORMATION DO NOT COPY OR REPRODUCE WITHOUT WRITTEN PERMISSION	
FILE: J\GM1 LAST MODIFIED:	SIZE: B	PART # N/A	SHEET: 1 OF 1	
	SCALE: NONE	DRAWING: GA-11654	REV: 1	