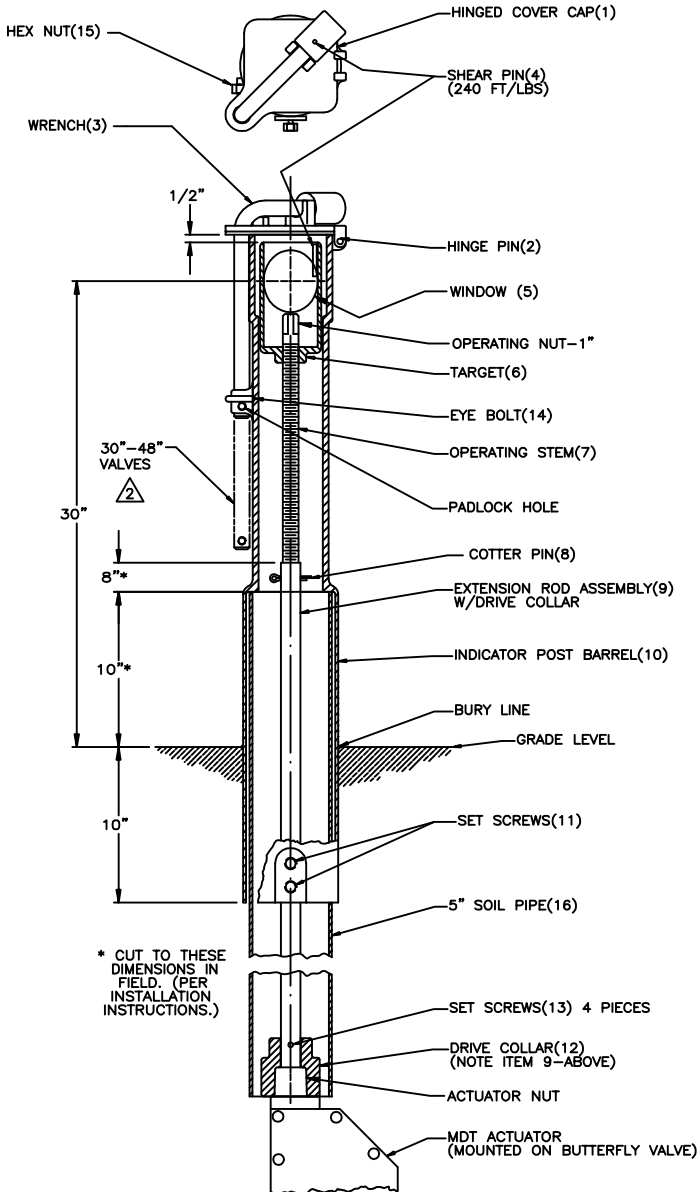


**BUTTERFLY VALVE INDICATOR POST**  
**PRINCIPLE OF OPERATION**

1. PADLOCK IS REMOVED TO GAIN ACCESS TO WRENCH.
2. TOP COVER IS LIFTED AND WRENCH INSERTED OVER ACTUATING NUT.
3. ACTUATING NUT IS ROTATED COUNTERCLOCKWISE THROUGH MULTIPLE REVOLUTIONS TO OPEN VALVE.
4. TARGET (SQUARE IN SHAPE) CANNOT ROTATE IN POST AND THEREFORE LOWERS WITH THE TURNING OF THE ACTUATING NUT.
5. ROUND OPENINGS IN THE POST ARE REVEALED AS THE TARGET LOWERS (TARGET SHOWN WITH VALVE CLOSED).
6. CAP IS CLOSED, WRENCH IS REPLACED AND THE PADLOCK REPLACED TO LOCK THE BUTTERFLY VALVE IN THE OPEN POSITION.
7. THE POST WILL THEN INDICATE VALVE POSITION FROM A DISTANCE AT A GLANCE, WHEN THE ROUND POST WINDOWS ARE OPEN, THE BUTTERFLY VALVE IS OPEN, WHEN THE WINDOWS ARE BLOCKED BY THE RED TARGET, THE BUTTERFLY VALVE IS CLOSED. REFLECTIVE WHITE STRIPES ON THE TARGET ALLOW EASY CHECKING OF THE VALVE POSITION AT NIGHT WITH A FLASHLIGHT.

**BUTTERFLY INDICATOR POST**  
**PARTS LIST**

ITEM NO.	DESCRIPTION	MATERIAL	QTY. PER ASSEMBLY
1	HINGED COVER CAP	CAST IRON A126 CLASS B	1
2	HINGE PIN		1
3	WRENCH	CARBON STEEL	1
4	SHEAR PIN	STAINLESS STEEL 300 SERIES	2
5	WINDOW	CLEAR ACRYLIC	1
6	TARGET	CAST ALUMINUM	1
7	OPERATING STEM	BRASS ASTM B16	1
8	COTTER PIN	304 STAINLESS STEEL	1
9	EXTENSION ROD	CARBON STEEL	1
10	INDICATOR POST BARREL	CAST IRON A126 CLASS B	1
11	SET SCREW	STEEL, ZINC PLATED	2
12	DRIVE COLLAR	CAST IRON A126 CLASS B	1
13	SET SCREW	ALLOY STEEL	4
14	EYE BOLT	FORGED STEEL	1
15	HEX NUT	CARBON STEEL	1
16	5" SOIL PIPE	CAST IRON ASTM A74-5V	1



**NOTES:**

- ② 1. THE PRATT INDICATOR POST IS INTENDED FOR USE WITH ONLY PRATT 4"-48" GROUNDHOG BUTTERFLY VALVES INSTALLED BELOW GROUND
2. INSTALLATION INSTRUCTIONS FURNISHED WITH EACH INDICATOR POST.
3. INDICATOR POST AVAILABLE IN 5' AND 10' STANDARD EXTENSIONS.
4. INSTALLER TO PROVIDE PADLOCK FOR INSERTION IN THE WRENCH ASSEMBLY TO LOCK THE VALVE OPEN.
5. INDICATOR POST DESIGNED AND TESTED IN ACCORDANCE WITH UNDERWRITERS LABORATORIES TEST GUIDE UL-1091A.
- ⚠ 6. PAINT: SAFETY RED ENAMEL

REV	DATE	BY	DESCRIPTION	APP.
②	9/14/12	JTC	ADD VALVES 30"-48"	
①	7/25/11	JTC	UPDATED PAINT	RCB

**PRATT** HENRY PRATT COMPANY  
 AURORA, ILL.

GENERAL ARRANGEMENT DRAWING  
 BUTTERFLY VALVE INDICATOR POST  
 STYLE G

EXTERNAL DISTRIBUTION  
 UL

SCALE NONE DATE 6/12/06  
 DRAWN BY SR CHECKED BY JR  
 APPROVED GA=BORDER  
 DRWG. NO. GA-11601 REV 2