



LVC Figure 75 Urethane Lined Ductile Iron Body High Chrome Iron Inserts Knife Gate Valve

675 Mitchell Avenue
Woodland, WA 98674
Phone: 360-225-1230
888-256-5779
Fax: 360-225-1235
www.henrypratt.com



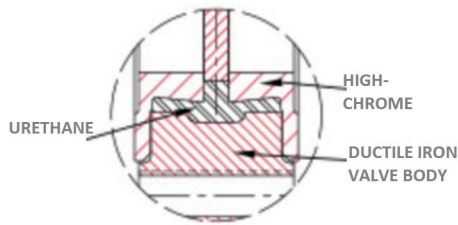
Features

- Robust urethane lined valve featuring one-piece, molded-in-place full body liner and integral 650 Brinell hardness high-chrome iron inserts.
- Designed for bottom ash and mining tailings, this heavy duty cast ductile iron body and yoke serve abrasive applications.
- Urethane liner and high-chrome iron inserts provide bi-directional bubble tight seal across gate from 0-150 PSI.
- Stainless steel gate and stem provide corrosion resistance and durability.
- MSS SP-81 face-to-face and flange dimensions.
- Easy conversion from handwheel operator to hydraulic or pneumatic cylinder, bevel gear, chainwheel, electric motor, or fail safe spring cylinder operator using existing cast yoke.
- Enclosed bronze stem bushing provides reduced operating torque and protects the stem bushing in harsh environments.
- Superior packing arrangement provides improved sealing performance in high cycle applications.
- Full packing seal around gate minimizes the potential for packing leakage.
- Minimum 4 bolt packing gland to assure proper gland alignment in all sizes.
- Standard TFE lubricated synthetic packing (TLSP) rated to 500° F and pH range of 3-11.
- Time proven urethane liner rated to 165°F provides the best resistance in abrasive applications.
- Full port ID.
- MSS SP-81 Stainless Steel, Bonnetless, Flanged Knife Gate Valves.
- CRN Registered, Alberta.

LVC Figure 75 Urethane Lined Ductile Iron Body High Chrome Iron Inserts Knife Gate Valve

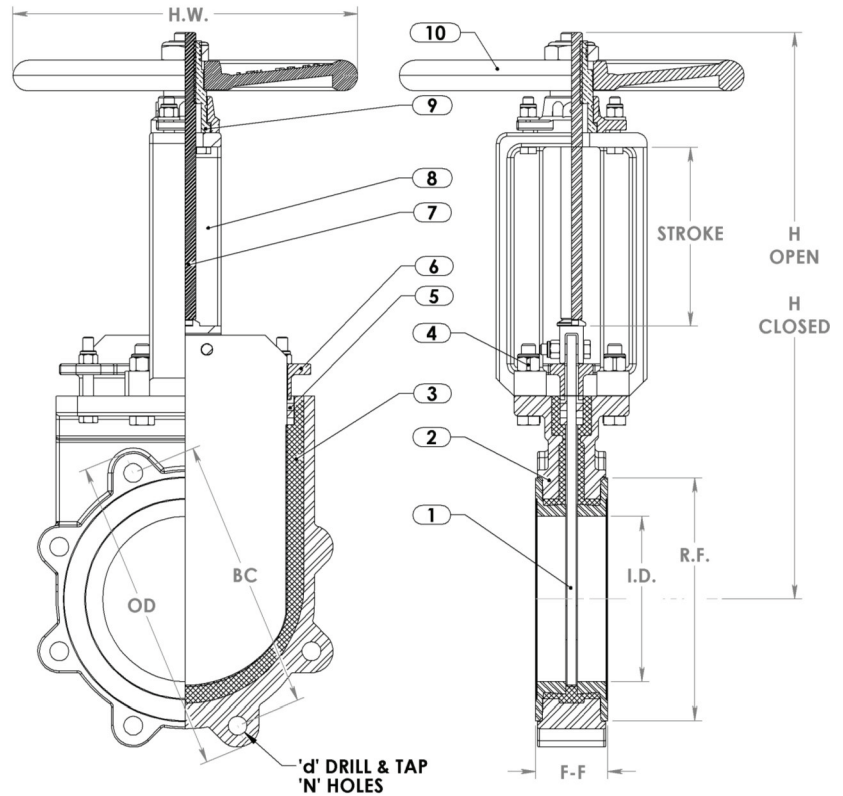
Materials of Construction

Model	75
1 Gate	SS
2 Body	DI
3 Seat	Urethane/ High-Chrome Iron
4 Bolts	Plated
5 Packing	TLSP**
6 Gland	DI
7 Stem	SS
8 Yoke	DI
9 Stem Nut	Bronze
10 Handwheel	DI



*TLSP = TFE Lubricated Synthetic Packing

Normally supplied with handwheel for manual operation, but can be modified for chain wheel, bevel gear, fail safe spring cylinder, electric motor, hydraulic or pneumatic cylinder operator.



Dimensions (Inches) and Weights

	Size	2	3	4	6	8	10	12	14	16	18	20	24
Face-to-Face	F-F	1-7/8	2	2	2-1/2	2-3/4	2-3/4	3	3	3-1/2	3-1/2	4-1/2	4-1/2
Flange OD	OD	6	7-1/2	9	11	13-1/2	16	19	21	23-1/2	25	27-1/2	32
Bolt Circle	BC	4-3/4	6	7-1/2	9-1/2	11-3/4	14-1/4	17	18-3/4	21-1/4	22-3/4	25	29-1/2
Flanged Raised Face	RF	5	5	6-3/16	8-1/2	10-5/8	12-3/4	15	16-1/4	18-3/4	20-1/4	22-1/2	27
Inside Diameter	ID	2	2-3/4	3-3/4	5-3/4	7-3/4	9-3/4	11-3/4	13	15	17	19	23
No. of Bolt Holes	N	4	4	8	8	8	12	12	12	16	16	20	20
Hole D&T Size	D	5/8"-11	5/8"-11	5/8"-11	3/4"-10	3/4"-10	7/8"-9	7/8"-9	1"-8	1"-8	1-1/8"-7	1-1/8"-7	1-1/4"-7
C/L to Top-Closed	H-CLS	13-1/4	14-5/8	17-1/4	20-1/8	24-3/4	29	32-7/8	40	41	47	51-3/4	58-3/4
C/L to Top-Open	H-OPN	15-1/2	17-11/16	21-3/16	26-1/2	32-5/8	39	45	54-1/4	56-1/4	64	72-1/4	82-1/4
Handwheel Dia.	H/W	8	8	12	16	16	16	16	24	24	24	24	24
Weight - lbs	WT	20	29	46	75	118	180	295	345	420	545	805	1150
Stroke	S	2-1/4	3-1/16	3-15/16	6-3/8	7-7/8	10	12-1/8	14-1/4	15-1/4	17-1/4	20-1/4	23-1/2

The trademarks, logos and service marks displayed in this document herein are the property of Henry Pratt Company, LLC, its affiliates or other third parties. Products above marked with a section symbol (§) are subject to patents or patent applications. For details, visit www.mwppat.com.

Copyright © 2016 Henry Pratt Company, LLC. All Rights Reserved.

Form 13246 9/2016